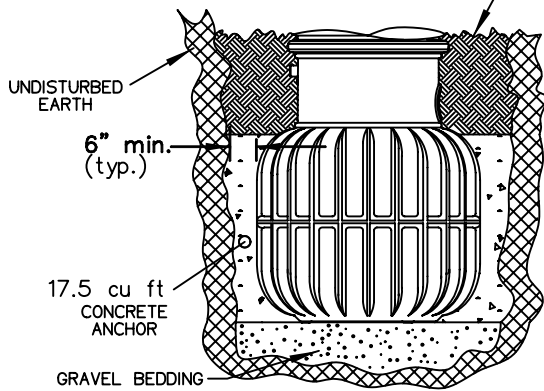


SEMI-POSITIVE DISPLACEMENT TYPE PUMP
 DIRECTLY DRIVEN BY A 1 HP MOTOR
 CAPABLE OF DELIVERING 9 gpm AT 138' T.D.H.

FILL TO GRADE WITH CLEAN, COMPACTABLE BACKFILL, SUCH AS
 PEA GRAVEL OR CRUSHED STONE, 1/8" - 3/4" IN SIZE.
 CLAY AND SILTS ARE NOT ACCEPTABLE BACKFILL



POURED-IN-PLACE
 CONCRETE ANCHOR DETAIL

NOTE:

1. Pump shall be Environment One Model DH151-74 with poured-in-place concrete anchor. (2773 Balltown Road, Schenectady, NY 12309-1090. (518) 346-6161, Fax (518) 346-6188. Local Representative: Correct Equipment, Inc. (707) 685-3757).

WEST BAY	
SANITARY DISTRICT	
SINGLE FAMILY GRINDER PUMP INFORMATION DETAIL	
APPROVED BY:	3/09/2009
DISTRICT MANAGER	DATE:
	20