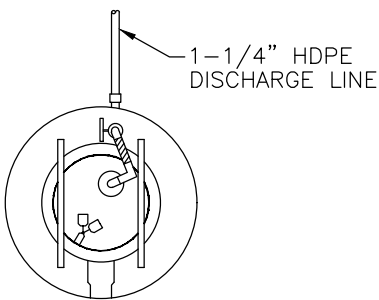


PUMP DETAIL

NOT TO SCALE



TOP VIEW
RISER ASSEMBLY

NOTES:

- 1) INSTALL PUMP AND VAULT PER MANUFACTURER'S RECOMMENDATIONS.
- 2) CORD LENGTHS TO BE DETERMINED BY DESIGN ENGINEER OR CONTRACTOR.
- 3) SPARE PUMP TO BE PROVIDED TO THE DISTRICT.

WEST BAY

SANITARY DISTRICT

PUMP DETAIL-SINGLE FAMILY SEPTIC TANK
EFFLUENT PUMP (STEP) SYSTEM

APPROVED BY:

/S/ - SERGIO RAMIREZ

GENERAL MANAGER

06-28-23

DATE: